

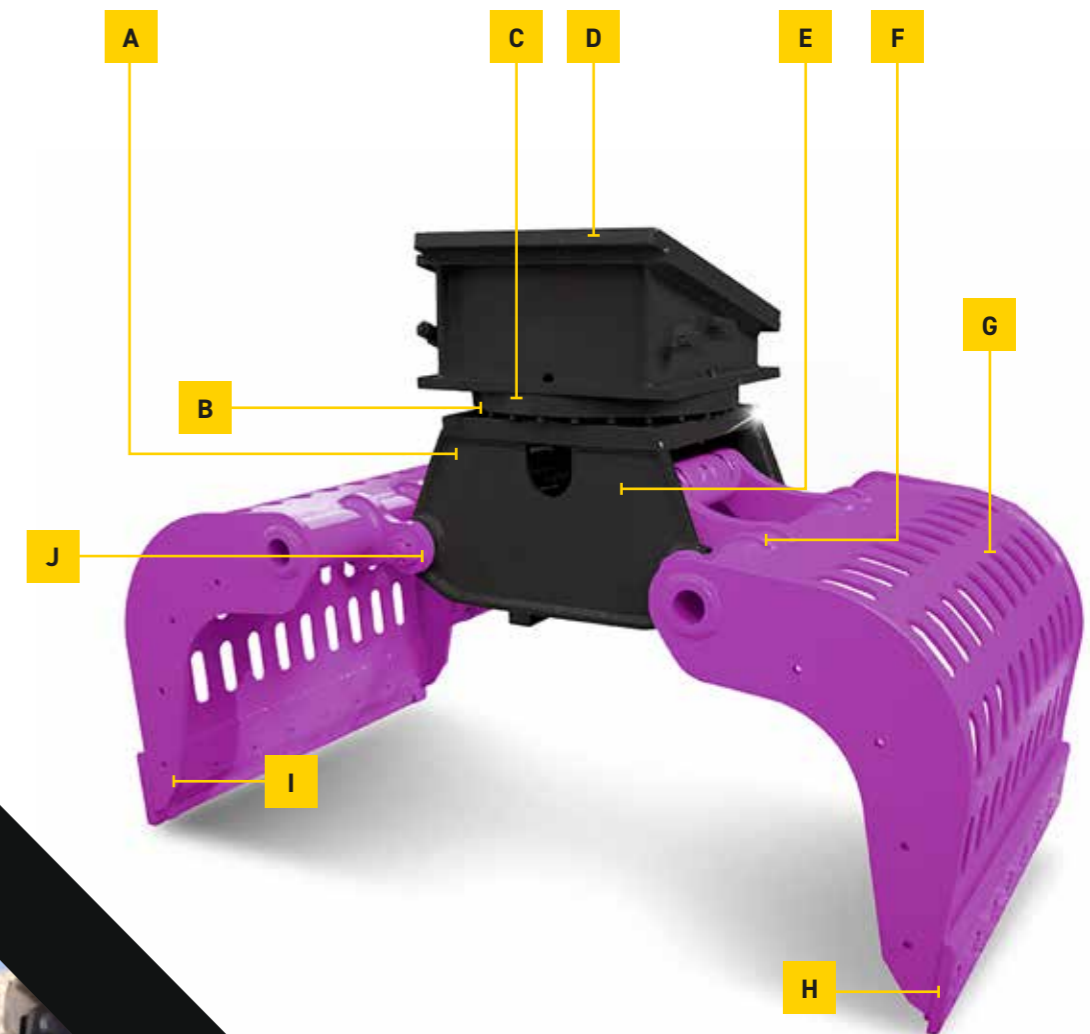
# Heavy Duty Selector Grabs

	PSG 75-D	PSG 100-D	PSG 150-D	PSG 200-D	PSG 400-D	PSG 450-D	PSG 452-D	PSG 503-D	PSG 603-D	PSG 803-D	PSG 903-D	PSG 1003-D
Working Weight (kg)	75	90	140	240	350	400	450	600	840	1000	1050	1100
Pressure - Open/Close (bar)	300	300	300	300	300	300	320	350	350	350	350	350
Oil Flow - Open/Close (lpm)	15	20	25	35	40	50	70	90	100	120	120	120
Max Pressure - Rotation (bar)	170	210	170	170	170	170	210	210	210	210	210	210
Oil Flow - Rotation - L/Min (mm)	5	5	10	10	12	12	15	15	25	25	25	25
Width W (mm)	300	350	450	500	600	700	700	600	800	800	900	1000
Max Opening (mm)	600	770	750	1160	1400	1500	1550	1800	1800	1950	1950	1950
Capacity (l)	30	40	70	100	150	200	200	300	400	500	600	700
Closing Force (kn)	6	0.7	15	20	23	24	24	30	35	46	46	46
Excavator Weight Class (t)	0.7-1.2	1-2	1.2-3	2.5-5	4-8	5-9	6-11	7-12	10-16	12-20	13-20	15-20

	PSG 1102-D	PSG 1202-D	PSG 1402-D	PSG 1702-D	PSG 1802-D	PSG 1900-D	PSG 2500-D	PSG 2700-D	PSG 3000-D	PSG 4000-D	PSG 5003-D	PSG 13000-D
Working Weight (kg)	1400	1500	1600	1750	1800	2000	2500	2700	3000	3910	5000	13000
Pressure - Open/Close (bar)	350	350	350	350	350	350	350	350	350	350	350	350
Oil Flow - Open/Close (lpm)	150	160	170	170	170	180	200	200	200	250	300	350
Max Pressure - Rotation (bar)	210	210	210	210	210	210	210	210	210	210	210	250
Oil Flow - Rotation - L/Min (mm)	35	35	35	35	35	35	35	35	35	40	60	100
Width W (mm)	900	1000	1200	1200	1200	1200	1360	1360	1500	1500	1500	1800
Max Opening (mm)	2100	2100	2100	2250	2400	2250	2230	2230	2460	2850	3000	4400
Capacity (l)	750	800	850	900	950	900	1000	1100	1300	1500	1600	4600
Closing Force (kn)	55	68	68	80	80	80	90	90	90	110	130	180
Excavator Weight Class (t)	16-24	17-28	20-28	23-30	24-35	25-38	28-45	30-50	35-50	40-65	45-100	100-200

## Product features

- A** High powered, end dampened, motionless cylinders
- B** Continuous 360° rotation
- C** Heavy duty slew ring
- D** Twin motors (PSG603 upwards)
- E** Heavy duty protective chassis with large diameter pins
- F** Extremely heavy duty shell connections
- G** One-piece perforated HARDOX shell skins
- H** Reversible and replaceable wear blades with countersunk bolts
- I** Wide opening/large load capacity
- J** Large Diameter Pins



**PRODEM.**